

PRODUCT BULLETIN

Features & Benefits:

- Economical: low energy consumption with high throughput
- Efficient and effective: uniform, precise grind
- Tight particle size control
- Easy to clean: no internal screens to blind or tear
- Dry or wet grinding: mill liquid or solids
- Offered in three sizes to best accommodate throughput/ capacity

The Simpactor® pin mill is a centrifugal impact mill that reduces low to medium density materials to uniform, fine particle sizes of 50-325 mesh. The Simpactor® is used in milling applications where low maintenance and low wear are critical. Typical Simpactor® milling applications include food product processing such as corn fractionation, flours, starch densification, corn slurry, sugar and sweeteners. Semi-abrasive material applications including aluminum sulfate, fertilizer, gypsum, soda ash, deagglomerate powders (including tungsten), talc, clay and kaolin.

How it Works:

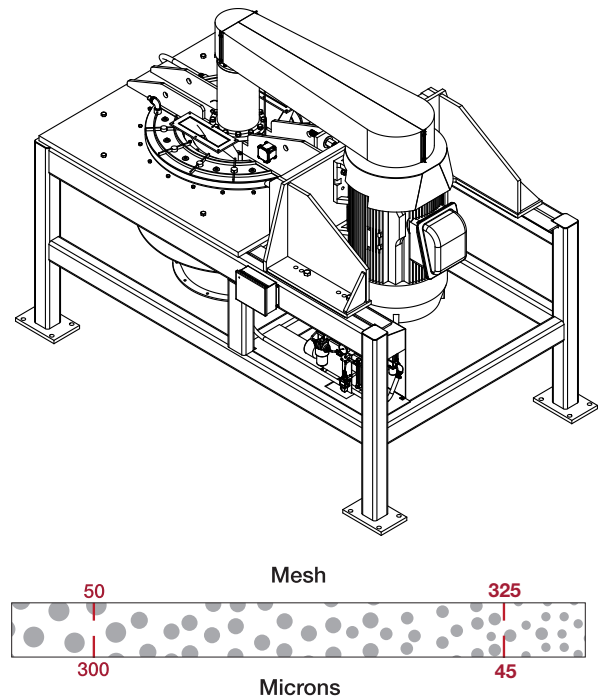
Materials enter the top of the Simpactor® through a feed chute and drop onto a spinning horizontal rotor. As the material hits the rotor, centrifugal force throws the powder through a series of vertical impact pins that are concentrically mounted to the rotor, causing the particles to smash apart on impact with the pins. The finely ground particles next hit an angled impact wall and spiral out the bottom of the mill for collection. The force imparted to the material is controlled by the speed of the rotor. For maximum energy, the rotor speed would be high; for gentler handling, low rotor speed can be controlled by sheave changes, manual adjustment, or a variable frequency controller.

Applications:

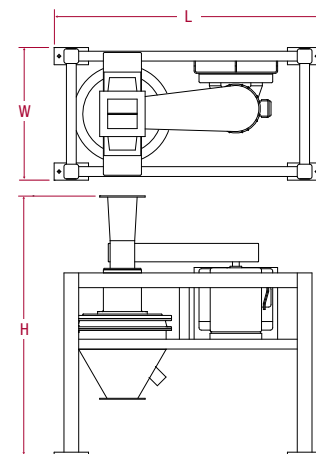
- Aluminum Sulfate
- Gypsum, Stucco
- Soda Ash
- Fertilizer
- Kaolin and Other Clays
- Sugar, Sweeteners
- Flours
- Corn Fractionation
- Densification
- Deagglomeration

Options:

- Wear Resistant Liners
- Stainless Steel Contacts
- Feeder



Product Fineness: 50 mesh (300 µm)-325 mesh (45 µm)
 Capacity Range: 4-30 TPH
 Size Range: 25-300 HP



SIMPACTOR® PIN MILL

MILL SIZE	MOTOR POWER RANGE (HP)	TONS PER HOUR	APPROXIMATE WEIGHT		OVERALL DIMENSIONS L x W x H	
			(LBS)	(KG)	(IN)	(MM)
#3 Simpactor	25	4	1,000	454	54" x 26" x 52"	1372 x 660 x 1321
#6 Simpactor	100	10	3,700	1678	72" x 36" x 70"	1829 x 914 x 1778
#40 Simpactor	300	30	10,000	4536	96" x 60" x 102"	2286 x 1524 x 2591

Measurements are for general reference only. Please consult dimensional drawings for exact measurements.