

PRODUCT BULLETIN

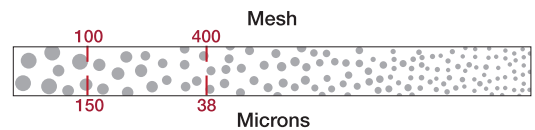
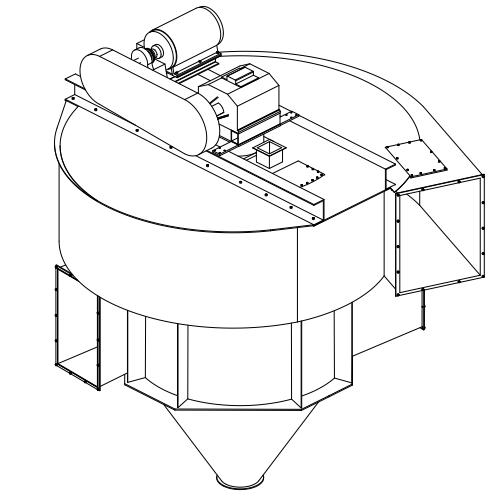
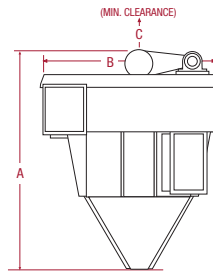
Features & Benefits:

- Higher capacity and finer separations than screeners with no blinding
- Fine particle size separation
- Variable speed for quick adjusting fineness control
- Reduced maintenance due to durable, wear-resistant liners
- Saves on operating expenses with low energy consumption

The Side Draft Air Classifier is a versatile, energy-efficient system for consistent separation of particles in the 100 to 400 mesh range offering a compact design and durable wear-resistant materials. The Side Draft delivers consistent, high-quality product regardless of variations in feed material through user-friendly air flow and speed changes. The Side Draft is capable of processing both abrasive and non-abrasive materials with optional ceramic wear liners and typical applications include aggregates, crushed stone, ceramics, chemicals, coal diatomaceous earth, fly ash, food products, gypsum, hydrated lime, minerals, shredded fibers, silica sand and soda ash.

How it Works:

Materials are fed into the top of the Side Draft Air Classifier through the feed inlet and are evenly conveyed across the top of the distribution plate and then drop into the separating zone, creating a uniformly dispensed curtain of material. The forces generated by the rejector cage and process air subject the curtain of material to particle size classification. High separation efficiencies and precision of classification are obtained by controlling air flow and rejector cage speed. The multi-pin or multi-blade, variable-speed rejector cage allows only the selected fines to pass into the fines chamber and exhaust into the system collector. The coarse particles, after passing through the separating zone, fall into the coarse outlet and exit by gravity.



Product Fineness: 100 mesh (150 µm)-400 mesh (38 µm)
 Feed Capacity: 4 - 1,150 TPH

SIDE DRAFT AIR CLASSIFIER

MODEL	HP	AIR FLOW VENT (CFM)	FEED RATE (TPH)	APPROX. WEIGHT		HEIGHT A		DIAMETER B		MIN. CLEARANCE C	
				(LBS)	(KG)	(FT)	(MM)	(FT)	(MM)	(FT)	(MM)
20	5 - 7.5	3,000	4 - 12	2,100	953	7' 2"	2184	3' 5"	1041	2' 6"	762
30	7.5 - 10	9,400	10 - 40	2,800	1270	13' 3"	4039	5' 2"	1575	3' 4"	1016
40	20 - 30	15,300	20 - 65	3,500	1588	14' 0"	4267	6' 1"	1854	3' 4"	1016
50	30 - 40	23,500	30 - 100	7,000	3175	15' 6"	4572	8' 1"	2464	3' 4"	1016
60	40 - 50	35,300	45 - 150	14,000	6350	16' 0"	4877	9' 6"	2896	4' 3"	1295
70	50 - 60	38,000	60 - 190	14,600	6622	17' 0"	5182	13' 5"	4089	4' 3"	1295
80	60 - 75	56,000	75 - 240	15,000	6804	22' 1"	6731	13' 6"	4115	4' 3"	1295
90	75 - 100	64,000	95 - 300	29,000	13154	24' 0"	7315	14' 3"	4343	4' 11"	1499
100	100 - 125	88,300	110 - 370	30,500	13835	24' 7"	7747	17' 3"	5258	4' 11"	1499
110	125 - 150	94,200	140 - 450	36,300	16465	28' 3"	8611	18' 0"	5486	5' 2"	1575
120	150	117,700	160 - 500	37,300	16919	25' 11"	7899	15' 6"	4724	5' 2"	1575
130	150 - 200	141,200	190 - 600	45,400	20593	31' 2"	9500	19' 3"	5867	5' 2"	1575
140	200 - 250	159,000	220 - 670	62,500	28350	34' 0"	10363	21' 10"	6655	8' 4"	2540
150	250 - 300	165,000	250 - 770	63,000	28576	29' 7"	9017	20' 10"	6350	8' 4"	2540
160	300 - 400	180,000	280 - 900	87,300	39599	31' 8"	9652	23' 1"	7036	9' 11"	3023
170	400 - 500	212,000	320 - 1,020	109,000	49442	35' 2"	10719	23' 6"	7163	9' 11"	3023
180	500 - 600	242,000	360 - 1,150	88,500	40143	35' 0"	10668	23' 4"	7112	9' 11"	3023

Measurements are for general reference only. Please consult dimensional drawings for exact measurements.

Applications:

- Ceramics
- Metal Oxides
- Coal
- Chemicals
- Diatomaceous Earth
- Flyash
- Food Products
- Gypsum
- Minerals
- Metals
- Iron Ore
- Ferrites
- Silica Sand
- Feldspar
- Soda Ash
- Sodium Bicarbonate
- Glass
- Kaolin Clay
- Hydrated Lime